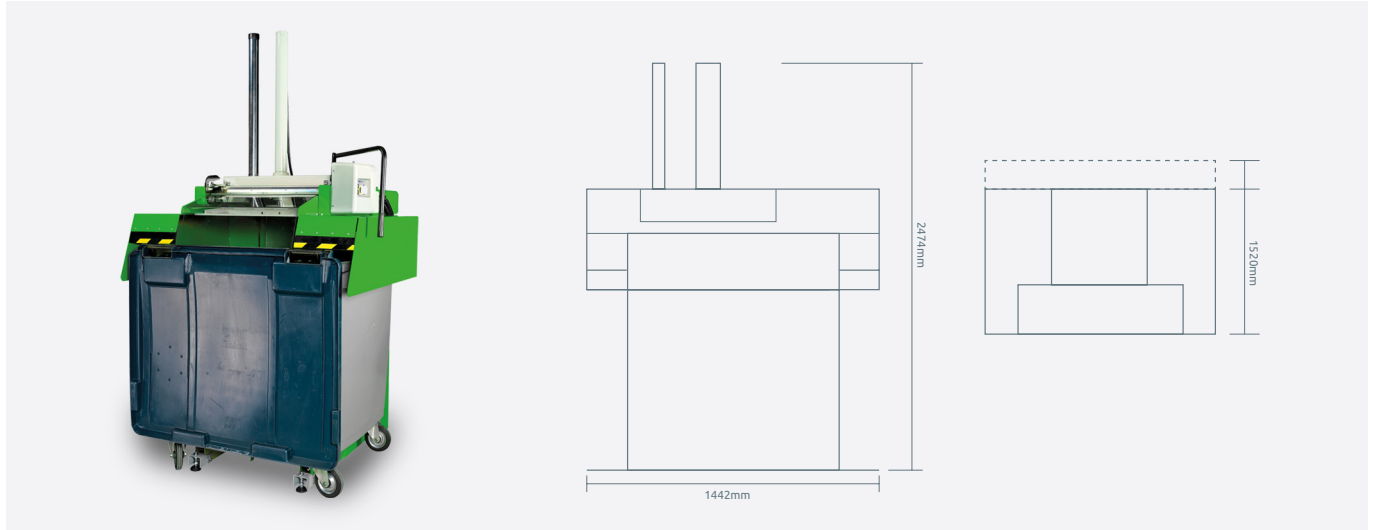


4110

> A space saving in-bin compactor for general waste.



This large in-bin compactor efficiently reduces the volume of waste, reducing the number of collections while utilising your own wheelie bins.

Key Features

- Bin casters protected during compaction process.
- Suitable for 1100 & 660L bins.
- Odour control and less spillage.
- Quiet operation.
- Single phase unit.
- Conforms to EN16500.

Benefits

- Good fit with current wheelie bins.
- Hygienic handling and contained waste.
- Reducing your waste disposal frequency & cost.
- Keep your premises tidy & freeing up number of bins/skips.
- Helping your business remain compliant.
- Improved waste management process.

Technical Data

Compaction Ratio	8:1*
Press Force	3 ton
Cycle Time	25 seconds
Noise Level	<70db
Machine Weight	564kg
Power Supply	Can be used in standard domestic socket, recommended dedicated 16 amp, Type D, Single Phase, Blue Commando Socket

*The compression ratio varies depending on type, humidity, and condition of the compressed material within the bin.

Machine Dimensions

Width	1442mm
Depth	1520mm
Height	2474mm
Transport Height	1300mm

For further information please contact us on:

United Kingdom : 0800 169 3534 | wastekitsales@phs.co.uk | www.phswastekit.co.uk |
Unit 6 Alpha Industrial Park, Bevan Way, Smethwick, B66 1BZ